

# VERTEX MESA

By Karim Rashid



VERTEX is a set of table and chairs with triangular planes which join dynamically together to create comfortable forms suitable for dining or meeting rooms, banquet or lecture halls and other casual needs. VERTEX looks as if it was chiseled from a single block of material, what remains is structural yet, beautiful. The VERTEX collection was created to integrate a more conceptual architectural piece into our space, to give it a more sophisticated touch.

View online: <https://www.vondom.com/products/51008>

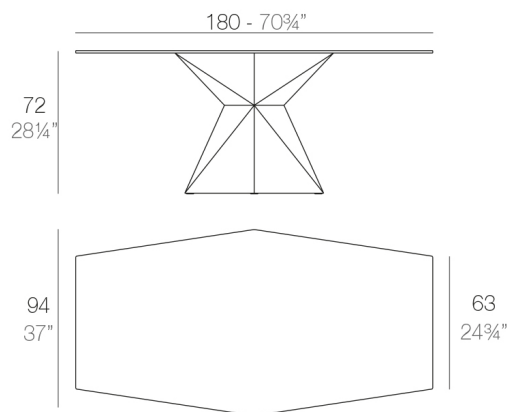
## Features

### Description

Made of polyethylene resin by rotational moulding. 100% Recyclable. Item suitable for indoor and outdoor use. Available in different finishes. Tabletop with HPL or Glass.

### Weight

62.9 Kg



VERTEX Mesa 180  
VERTEX Table 70 $\frac{3}{4}$ "

## Finishes

### BASIC

Ref. 51008

Matt Polyethylene

### LACQUERED

Ref. 51008AF

Lacquered Polyethylene

### LIGHT

Ref. 51008WB

White internally lit unit with LED technology. Available only in matte ice white finish.

### RGBW LED

Ref. 51008L

Unit with internal lighting with RGBW LED technology and remote control unit for switching colors. Available only in matte ice white finish. Remote control included.

### RGBW LED DMX

Ref. 51008D

Unit with internal lighting with RGBW LED technology and remote control unit for switching colors. Also controlled by DMX-1024 (wireless), enabling communication between one or more products simultaneously via the DMX transmitter (not included).

### RGBW LED BATTERY

Ref. 51008DY

Unit with internal lighting with battery-powered RGBW LED technology. Includes charger and remote control for switching colors and charger. Available only in matte ice white finish.

COLOR	BASIC	LACQUERED / LACADO	LUZ
ICE	<input type="checkbox"/>	<input type="checkbox"/>	<input type="checkbox"/>
WHITE	<input type="checkbox"/>	<input type="checkbox"/>	<input type="checkbox"/>
BLACK	<input type="checkbox"/>	<input type="checkbox"/>	<input type="checkbox"/>
BRONZE	<input type="checkbox"/>	<input type="checkbox"/>	<input type="checkbox"/>
STEEL	<input type="checkbox"/>	<input type="checkbox"/>	<input type="checkbox"/>
ANTHRACITE	<input type="checkbox"/>	<input type="checkbox"/>	<input type="checkbox"/>
RED	<input type="checkbox"/>	<input type="checkbox"/>	<input type="checkbox"/>
PISTACHIO	<input type="checkbox"/>	<input type="checkbox"/>	<input type="checkbox"/>
ORANGE	<input type="checkbox"/>	<input type="checkbox"/>	<input type="checkbox"/>
KHAKI	<input type="checkbox"/>	<input type="checkbox"/>	<input type="checkbox"/>
NAVY	<input type="checkbox"/>	<input type="checkbox"/>	<input type="checkbox"/>
TAUPE	<input type="checkbox"/>	<input type="checkbox"/>	<input type="checkbox"/>
PLUM	<input type="checkbox"/>	<input type="checkbox"/>	<input type="checkbox"/>
ECRU	<input type="checkbox"/>	<input type="checkbox"/>	<input type="checkbox"/>
BEIGE	<input type="checkbox"/>	<input type="checkbox"/>	<input type="checkbox"/>
CHAMPAGNE	<input type="checkbox"/>	<input type="checkbox"/>	<input type="checkbox"/>

