

Technical specifications
(1/3)

Tube table

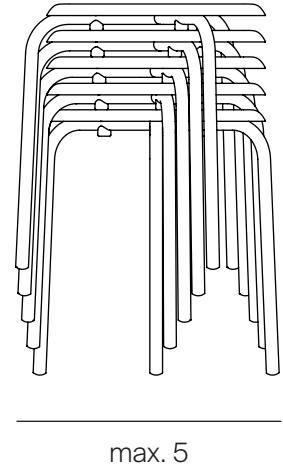
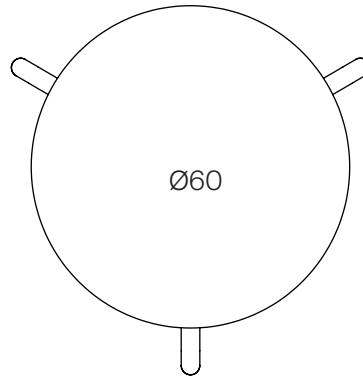
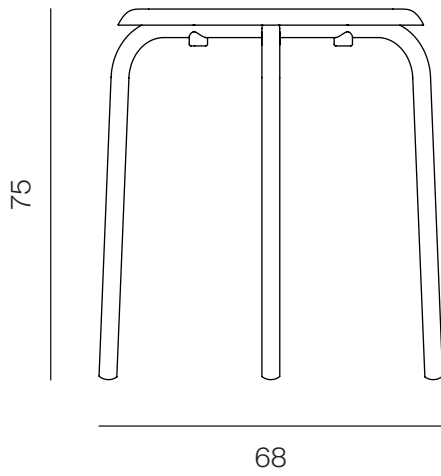
By Eugeni Quitllet



Mobles114

Technical specifications

(2/3)



*Metric unit cm

PRODUCT

Units	Weight
1	11,5 kg

PACKAGING

Units	Weight	Dimensions	Volume
1	13,5 kg	69x69x74 cm	0,35 m ³

All packaging is made of double cardboard box, 100% recyclable.

MATERIALS AND COLORS (steel)



Technical specifications

(3/3)

MATERIALS AND FINISHES

Structure

Structure formed by 3 feet welded in a continuous TIG cord, achieving great mechanical resistance. The tube has a 35 mm diameter section and the 3 ground support points are protected with black plastic caps.

Table top

Piece made of 2 mm thick steel sheet formed from the repulsed process. It is screwed to the legs using 3 M8x55 screws that we thread into 3 M8 nuts, already welded to the top.

3 plastic injection pieces give us the necessary height and settlement to stack between them.

Available in 6 finishes: white RAL 9002, blue-grey RAL 7031, black RAL 9004, chestnut brown RAL 8015 and olive green RAL 7002. All metal parts are zinc plated and later painted with textured epoxy powder paint. 80 microns, 30% matte.

Stackable table (max. 5)

MAINTENANCE

Clean with a damp cloth with mild soap and water. Rinse and dry with a dry cloth. Avoid using abrasive products.